



Luminous Virtual Window Buyer's Guide



Luminous Virtual Windows™

Sky Factory Luminous Virtual Windows transform enclosed interiors into more spacious feeling and memorable environments. They present photographic illusions of wild natural vistas in a window-like frame. Their slim profile (1 3/16"/46mm) allows for surface mounting or recessed flush installation. They come in several standard sizes, from approximately 22"x 40" to 34"x 64", and can be ordered to custom dimensions. Several trim styles in various woods and brushed aluminum elegantly finish each unit.

To enhance the illusion of depth, we recommend installing Luminous Virtual Windows as pairs or triples. By creating spaces in the continuous photographic scene, the installation allows viewers' imaginations to fill in the gaps, heightening the illusion of space beyond the window.

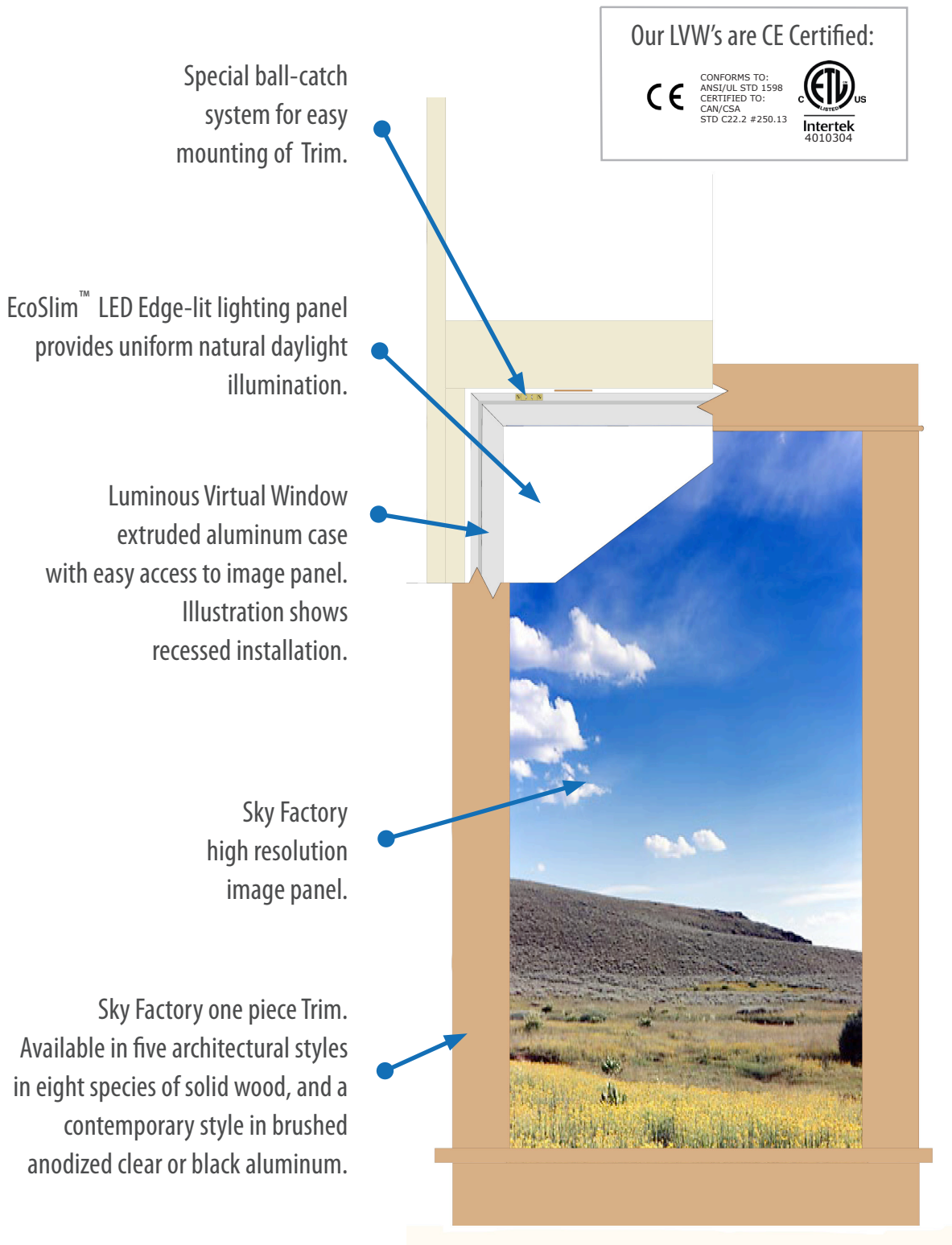
8 Step Selection System

- Step 1** Choose Mounting Type
- Step 2** Choose Power
- Step 3** Choose Trim Style
- Step 4** Choose Trim Material
- Step 5** Choose Configuration and Size
- Step 6** Choose Image
- Step 7** Get Part Number
- Step 8** Call our Design Staff, Contact Information



RUS_CH_TRPL_2852_6ky

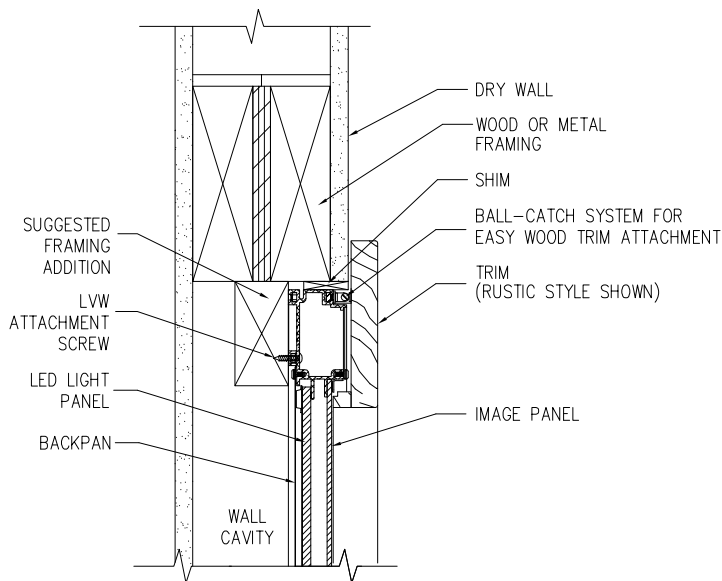
LVW Components*



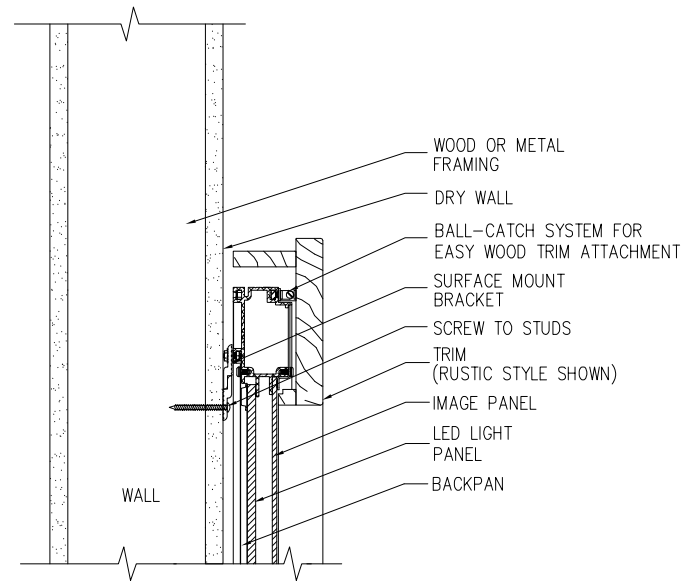
* See LVW Recessed and Surface Mount cross-sections on page 4.

Step 1 Choose your mounting type

Luminous Virtual Windows come in two mounting styles: Recessed and Surface Mount. Recessed mounting requires 3" of depth from the outside face of the wall covering. Surface mounting comes with side panels which mount to the LVW case.



Recessed Application
Rustic
Wood Trim Style Shown
Section of LVW Top



Surface Mount Application
Rustic
Wood Trim Style Shown
Section of LVW Top

Step 2 Choose your power

The EcoSlim™ LED system operates on 24 V DC, appropriate where radio frequency interference (RFI) is not acceptable, such as MRI and other RF-free environments or where lamp replacement is problematic. For RF-free environments, the DC model comes with a Listed power supply that can be mounted remotely. For all other environments, the AC model has internal power supplies and therefore can be wired directly to an AC circuit.

Step 3 Choose your trim style

LVW trim is available in a variety of wood species, as well as aluminum.
See Step 4 for trim material choices.



ALS_AL_SNGL_3440_6gnL

Aluminum

using brushed anodized finish



RUS_WP_SNGL_3440_6nn

Rustic

using white primed poplar



PRA_WO_SNGL_3440_6nz

Prairie Style

using white oak



ROS_HM_SNGL_3440_4da

Rosette with pane mullions

using hard maple



AC1_CH_SNGL_3440_4dc

Arts and Crafts 1
using cherry



AC2_WA_SNGL_3440_6tvL

Arts and Crafts 2
using walnut



ALS_BL_TWIN_2240_4iv

Aluminum
using powder-coated black finish

Step 4 Choose your Trim Material

Wood trim is finished with a clear, hard, satin lacquer.

Soft maple is uncoated for those who would like to apply their own stain.

Poplar is primed for those who would like to paint it.

Aluminum is provided with an anodized finish.

Wood



Cherry



Hard Maple



Pine



Walnut



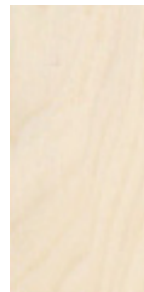
Red Oak



White Oak



Unfinished Stain
Grade Soft Maple*



White Primed
Poplar

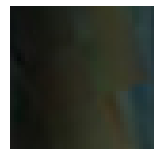


White Painted
Poplar

Aluminum



Brushed
Anodized Clear Finish



Brushed
Anodized Black Finish

IMPORTANT: Wood colors may be different from the samples pictured.

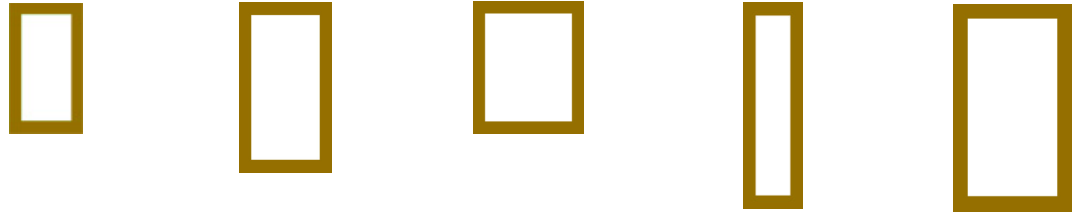
Do not use samples to match other elements in a building (contact one of our designers).

* Or alternate wood if soft maple is not available. For more staining detail, see Appendix B on page 13.

Step 5 Choose your Configuration and Sizes

Select from our standard sizes in single, clerestory, twin, or triple configurations

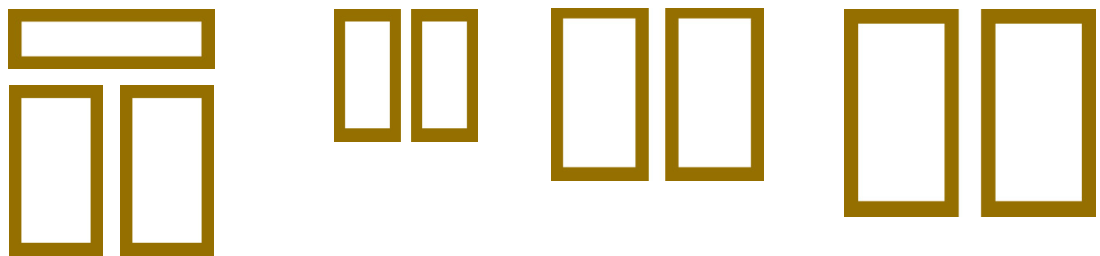
	SNGL2240	SNGL2852	SNGL3440	SNGL1864	SNGL3464
R.O.	22 3/4 x 40 3/8 [56.8 x 102.6 cm]	28 3/8 x 52 3/8 [72.1 x 133 cm]	34 3/8 x 40 3/8 [87.3 x 102.6 cm]	18 3/8 x 64 3/8 [46.7 x 163.5 cm]	34 3/8 x 64 3/8 [87.3 x 163.5 cm]
CASE*	22 x 40 [55.9 x 101.6 cm]	28 x 52 [71.1 x 132.1 cm]	34 x 40 [86.4 x 101.6 cm]	18 x 64 [45.7 x 162.6 cm]	34 x 64 [86.4 x 162.6 cm]



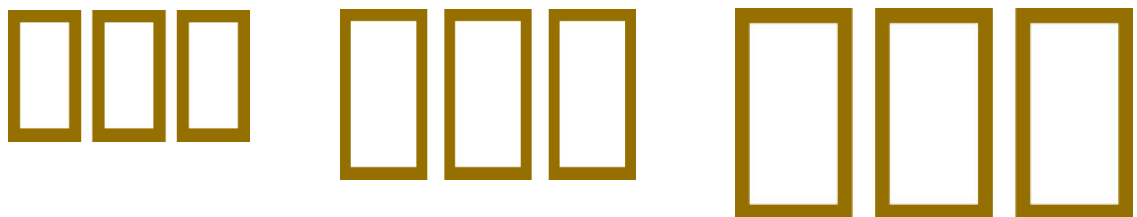
	SNGL4022	SNGL5228	SNGL4034	SNGL 6418	SNGL 6434
R.O.	40 3/8 x 22 3/8 [102.6 x 56.8 cm]	52 3/8 x 28 3/8 [133 x 72.1 cm]	40 3/8 x 34 3/8 [102.6 x 86.4 cm]	64 3/8 x 18 3/8 [163.5 x 46.7 cm]	64 3/8 x 34 3/8 [163.5 x 87.3 cm]
CASE*	40 x 22 [101.6 x 55.9 cm]	52 x 28 [132.1 x 71.1 cm]	40 x 34 [101.6 x 86.4 cm]	64 x 18 [162.6 x 45.7 cm]	64 x 34 [162.6 x 86.4 cm]



MULTIPLE UNITS **				
	CLSTY2852	TWIN2240	TWIN2852	TWIN3464
R.O.	(2) 28 3/8 x 52 3/8, (1) 64 3/8 x 18 3/8 [72.1 x 132.1, 163.5 x 46.7 cm]	(2) 22 3/8 x 40 3/8 [56.8 x 102.6 cm]	(2) 28 3/8 x 52 3/8 [72.1 x 132.1 cm]	(2) 34 3/8 x 64 3/8 [87.3 x 163.5 cm]
CASE*	(2) 28 x 52, (1) 64 x 18 [71.1 x 132.1, 162.6 x 45.7 cm]	(2) 22 x 40 [55.9 x 101.6 cm]	(2) 28 x 52 [71.1 x 132.1 cm]	(2) 34 x 64 [86.4 x 162.6 cm]



	TRPL2240	TRPL2852	TRPL3464
R.O.	(3) 22 3/8 x 40 3/8 [56.8 x 102.6 cm]	(3) 28 3/8 x 52 3/8 [72.1 x 133 cm]	(3) 34 3/8 x 64 3/8 [87.3 x 163.5 cm]
CASE*	(3) 22 x 40 [55.9 x 101.6 cm]	(3) 28 x 52 [71.1 x 132.1 cm]	(3) 34 x 64 [86.4 x 162.6 cm]



* Dimensions of the detachable trim face are from 7/16" to 2" larger than case dimension. Call for exact sizes.

** Other twin and triple combinations available.

Step 6

Choose your image

from our web site catalog:
<http://www.skyfactory.com/library/walls/>



AC2_CH_CSTY_6478_6ld_2-28x52md02

Image Selection

We recommend that you look at the images in our Luminous Virtual Window and Signature Edition catalog. The Signature Edition represents the work of nationally renowned artists.

Luminous Virtual Windows are perfect for displaying landscape images. They provide openings into vistas of intimate or expansive beauty.

Multiple window configurations enhance the illusion of actually looking out through a window as they trigger binocular vision and are configured in a format that the mind readily accepts as a “window”.

When you find a suitable image, note the image ID number, and proceed to Step 7 . In Step 8 we ask you to call us to review your selections. We will compare your image choice with your Luminous Virtual Window configuration and size choices to insure there will be no compromise in quality or resolution.

Custom design image services

We are also happy to custom design or locate images for your specific needs and tastes, or design custom sizes. In this matter, you will correspond with one of our Sky Designers. (contact information on page 11).

Step 8

Contact a Sky Designer

Contact our design staff to review your selections, get a price quote, and to get answers to any questions you may have.

Toll Free: 866-759-3228

Appendix A:

Installation Instructions

Find the application below which applies to you, note the list of documents for that application, and then click on the link to the Product Documentation page for pdf's of those documents.

<http://www.theskyfactory.com/resources/?i=lvw>

LED LVW Recessed Application

Luminous Virtual Window Technical Specifications

Luminous Virtual Window AC Recessed Installation Packet

Luminous Virtual Window DC Recessed Installation Packet

Luminous Virtual Window Maintenance

LED LVW Surface Mount Application

Luminous Virtual Window Technical Specifications

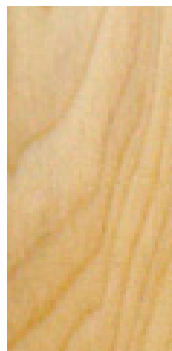
Luminous Virtual Window AC Surface Mount Installation Packet

Luminous Virtual Window DC Surface Mount Installation Packet

Luminous Virtual Window Maintenance

Appendix B:

Staining



Unfinished Stain
Grade Soft Maple

Staining

Staining wood is most effectively done on-site by a professional woodworker. A professional is familiar with a variety of woods and stains and can provide a range of samples to best match the client's expectations and/or the local decor. Because we cannot effectively do this, we offer a stain grade option: soft maple*, which receives stain well and is more universal in appearance. The client then has the trim stained on-site to give the desired effect.

If soft maple* does not meet your needs, contact a Sky Designer to discuss other options.

We always guarantee excellent workmanship and high quality wood in all our options. However, because the variables in staining are so great, we cannot guarantee the final look when choosing the stain option.

* Or alternate wood if soft maple is not available.